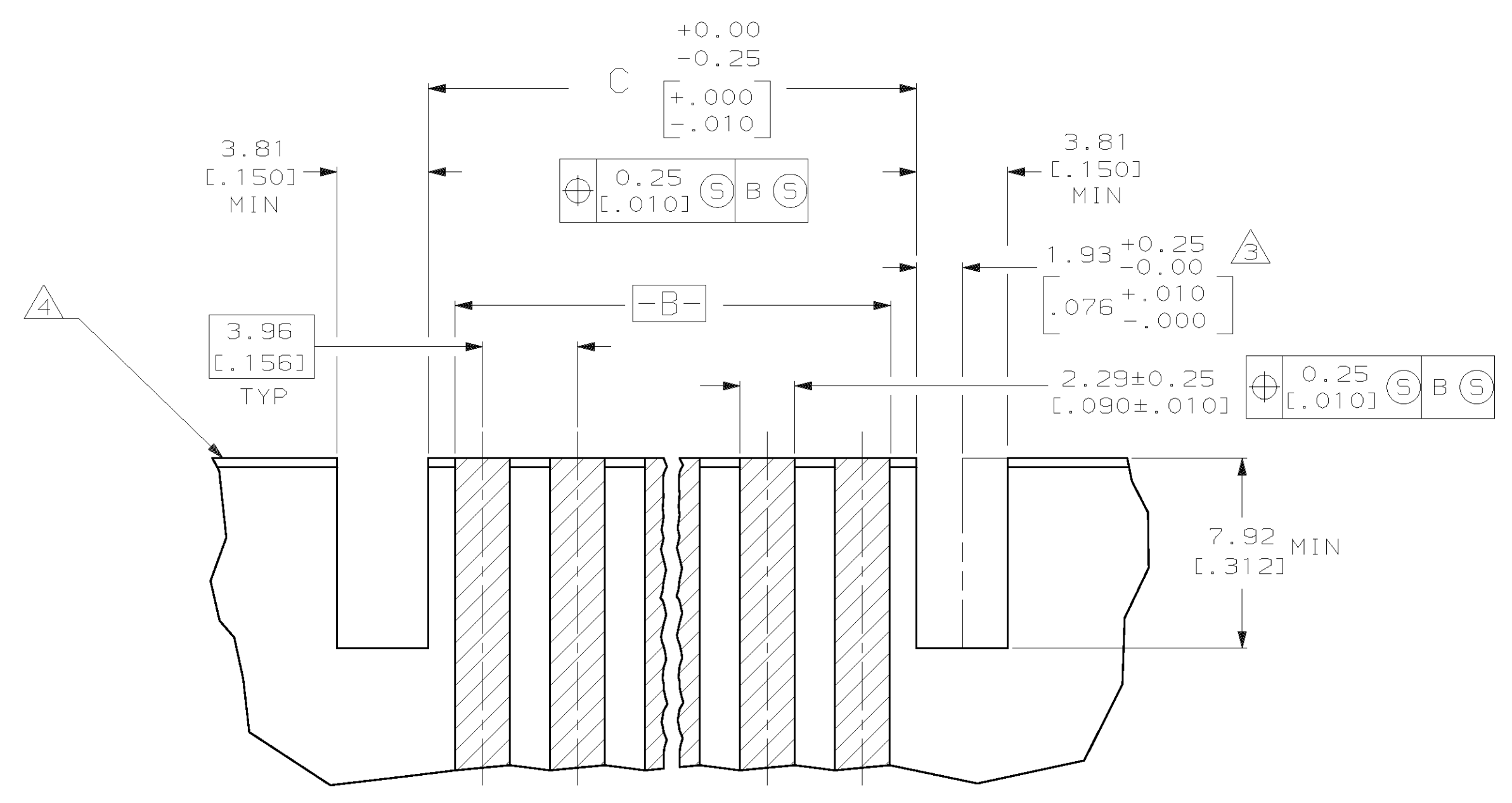
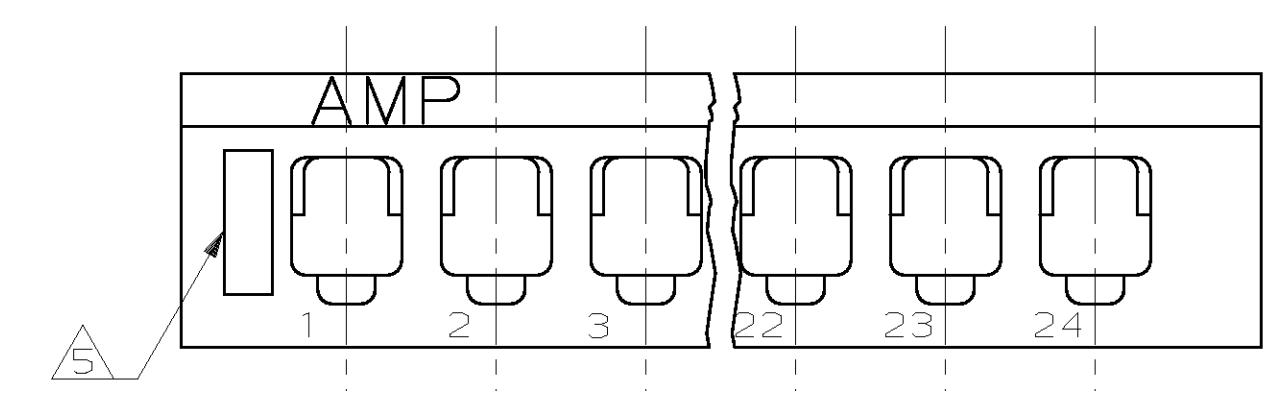
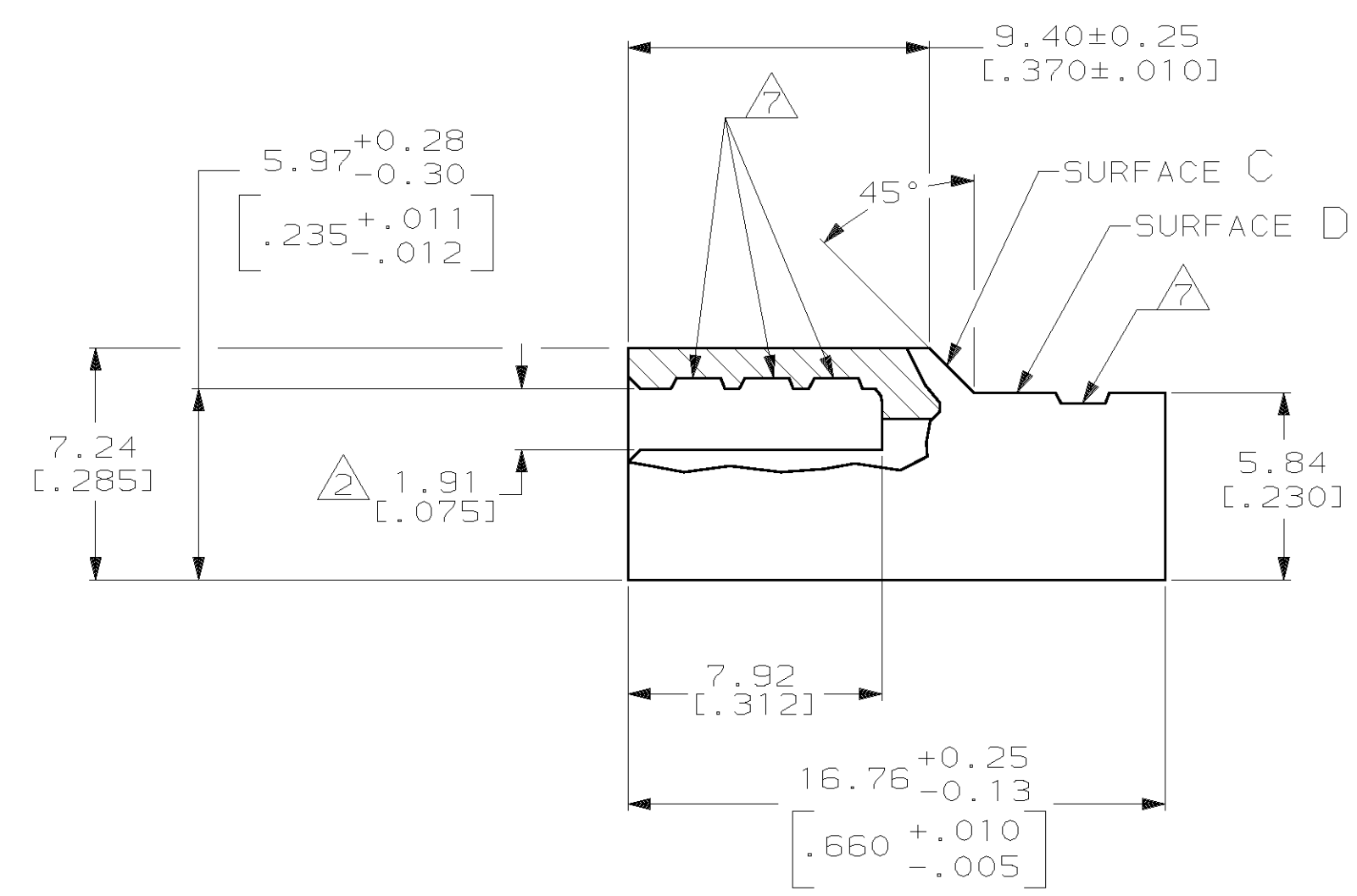
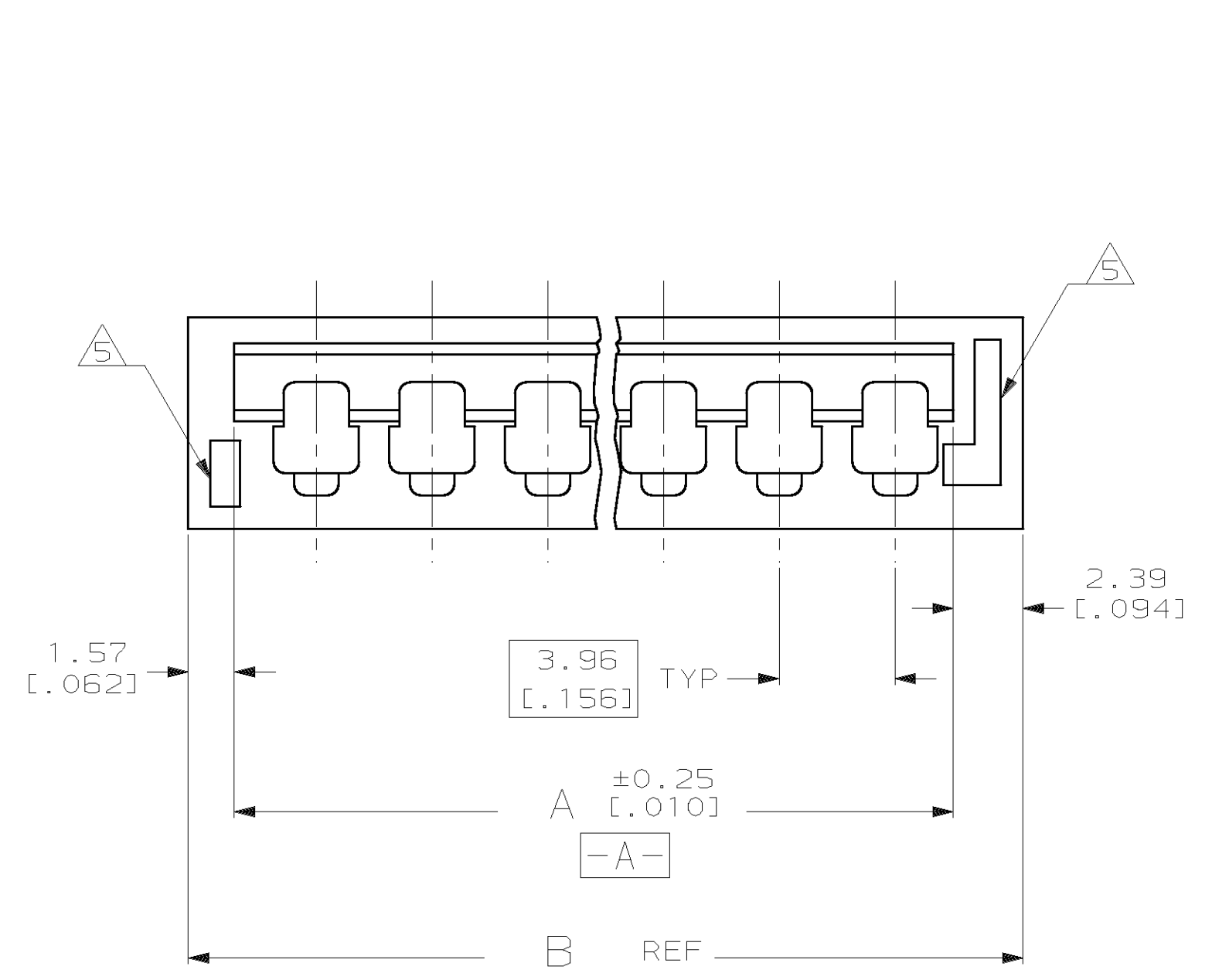
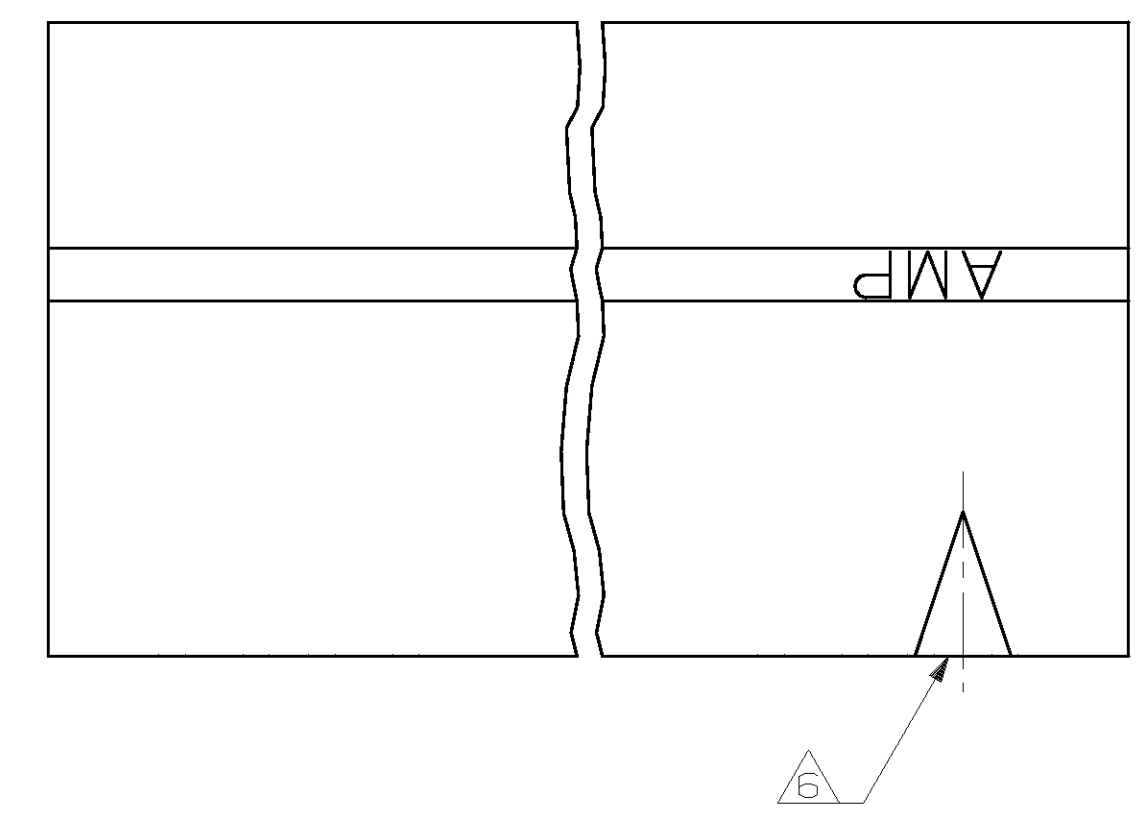


LOC				DIST				REVISIONS							
CM	P	F	ZONE	LTR	DESCRIPTION	DATE	APPD	CM	P	F	ZONE	LTR	DESCRIPTION	DATE	APPD
					REACTIVATE -22 PER	8-18-97	JH								
					EC 0L30-0151-97										

- HOUSING ACCEPTS CONTACTS P/N 61668 OR 350194.
- MEASURED AT ENDS OF CARD SLOT.
- RECOMMENDED CUTOUT FOR HOUSING POLARIZATION, WHERE REQUIRED.
- 0.38 [.015] MIN X 45° CHAMFER RECOMMENDED ON BOTH SIDES OF BOARD.
- CORING OPTIONAL.
- OPTIONAL FROSTED SURFACE LOCATED ON ϕ OF CIRCUIT NO. 1; ANOTHER OPTION IS A RECESSED TRIANGLE ON SURFACE C WITH A FROSTED AMP LOGO ON SURFACE D.
- OPTIONAL PULL GROOVE AS REQUIRED FOR MOLDING.
- DIMENSIONS IN BRACKETS ARE IN INCHES.



RECOMMENDED LAYOUT PATTERN
 FOR 1.575±0.191 [.0620±.0075] THICK
 P.C. BOARD INCLUDING CIRCUITRY

C	B	A	NO OF CIRCUITS	PART NO.
87.83 [3.458]	92.08 [3.625]	88.11 [3.469]	22	2-640136-2
71.96 [2.833]	76.20 [3.000]	72.24 [2.844]	18	1-640136-8
64.01 [2.520]	68.25 [2.687]	64.29 [2.531]	16	1-640136-6
60.05 [2.364]	64.29 [2.531]	60.33 [2.375]	15	1-640136-5
48.13 [1.895]	52.37 [2.062]	48.41 [1.906]	12	1-640136-2
44.17 [1.739]	48.41 [1.906]	44.45 [1.750]	11	1-640136-1
40.21 [1.583]	44.45 [1.750]	40.49 [1.594]	10	1-640136-0
36.25 [1.427]	40.49 [1.594]	36.53 [1.438]	9	640136-9
32.26 [1.270]	36.50 [1.437]	32.54 [1.281]	8	640136-8
28.30 [1.114]	32.54 [1.281]	28.58 [1.125]	7	640136-7
24.33 [0.958]	28.58 [1.125]	24.61 [0.969]	6	640136-6
20.37 [0.802]	24.61 [0.969]	20.65 [0.813]	5	640136-5
16.38 [0.645]	20.62 [0.812]	16.66 [0.656]	4	640136-4
8.46 [0.333]	12.70 [0.500]	8.74 [0.344]	2	640136-2

DO NOT SCALE PRINT. UNLESS SPECIFIED DIMENSIONS IN mm [INCHES] TOLERANCES ON: 2 PLC DEC ± 3 PLC DEC ± 0.13 [.005] ANGLES ±		DR 2-20-92 K. SALMON CHK 2-20-92 R. SWING APPD 4-24-92 W. LONG APPD 4-24-92 W. LONG PRODUCT SPEC - APPLICATION SPEC - WEIGHT		AMP Incorporated Harrisburg, PA 17105-3608 NAME HOUSING, EDGE CONNECTOR, BIFURCATED LEAF SIZE D 00779 CAGE CODE 00779 DRAWING NO 640136 SCALE 5:1 SHEET 1 OF 1	
--	--	--	--	---	--

METRIC